

DSG-SoLID R&D Meeting Minutes

Date: July 29, 2021

Time: 11:00 – 12:00

Attendees: Mary Ann Antonioli, Aaron Brown, Peter Bonneau, Pablo Campero, Brian Eng, George Jacobs, Mindy Leffel, Tyler Lemon, and Marc McMullen

1. Reviewed DSG-SoLID Magnet Control System meeting minutes from July 28, 2021

DSG

1. Link for details: [2021-07-28 DSG-SoLID Magnet System Meeting Minutes](#)
2. Generating new drawing for *Relay Module, Remote B, Slot 2 Wiring Diagram*
3. Currently modifying drawings: *Power Supply Terminal Strips, PLC module, JTV Motor Drive Wiring Diagram* and *Instrumentation Rack Panel Layout*
4. Discussed power requirements for instrumentation in the racks

2. Completed modifications of drawings

Mary Ann Antonioli and Pablo Campero

1. A00000-16-03-0262 *JTV Motor Drives Wiring Diagram*
2. A00000-16-03- 0305 *PLC Relay Module, Remote A, Slot 5 Wiring Diagram*

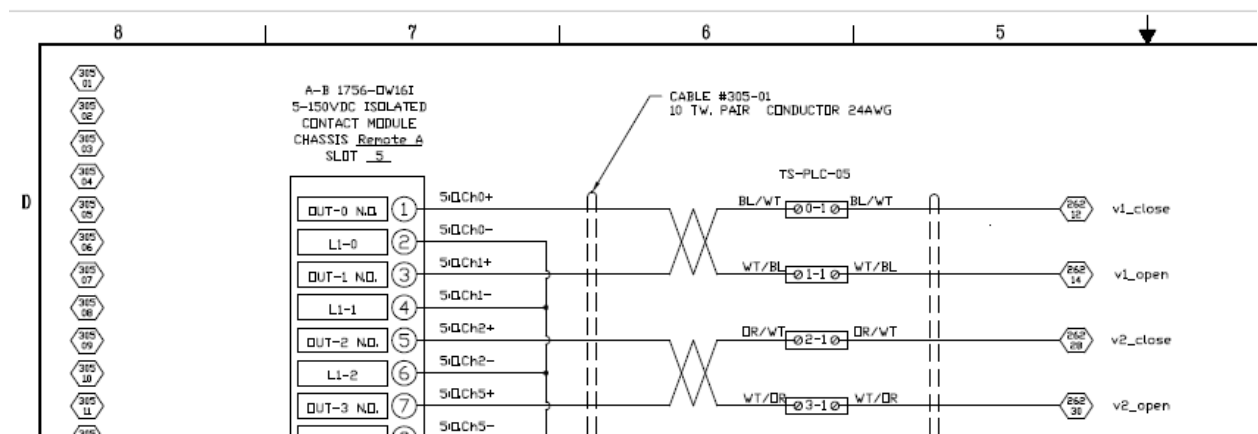


Fig.1. Upper section of drawing A00000-16-03- 0305 shows relay channel connections to the valves motor drive

3. Discussed cables to be procured

Pablo Campero, Brian Eng, and Marc McMullen

1. Cable to readout load sensor will be researched; connections are as follows:
 - From Tuchel 5-pin socket at the magnet to terminal strip in instrumentation rack
 - From terminal strip to Dataforth signal conditioner terminals
 - From Dataforth breakout board to PLC terminal strip
 - From PLC terminal strip to PLC terminal block